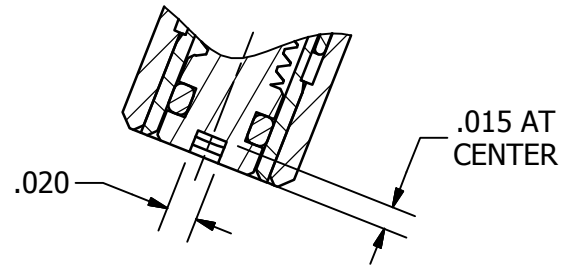


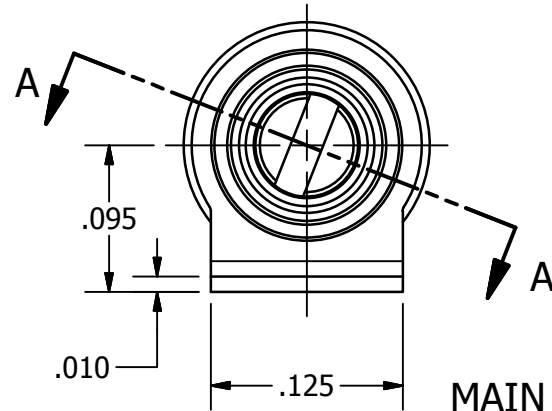
NOTES:

1. INTERPRET DRAWING PER ANSI Y14.5M-1994.
2. ELECTRICAL SPECIFICATIONS:
 - 2.1. CAPACITANCE RANGE: 0.6 [pF] TO 11.0 [pF].
 - 2.2. DC WORKING VOLTAGE AT 11.0 [pF]: 500 [VOLTS].
 - 2.3. DC WITHSTANDING VOLTAGE AT 11.0 [pF]: 1000 [VOLTS].
 - 2.4. Q FACTOR AT 100 [MHz] AND 11.0 [pF]: 2000 MIN.
 - 2.5. INSULATION RESISTANCE: 10⁶ [MEGAOHMS] AT 25°C.
 - 2.6. TEMPERATURE COEFFICIENT 0 ± 150 [PPM/°C].
3. MECHANICAL SPECIFICATIONS:
 - 3.1. TUNING TORQUE: 0.3 [in·oz] TO 1.0 [in·oz].
 - 3.2. ROTATIONAL LIFE: 600 TURNS MIN.
 - 3.3. CONSTRUCTION: SEALED NON-MAGNETIC.
 - 3.4. UNIT PARTIALLY FILLED WITH PROPRIETARY VOLTRONICS DIELECTRIL OIL.
4. ENVIRONMENTAL:
 - 4.1. OPERATING TEMPERATURE: -40°C TO +125°C.
 - 4.2. VIBRATION: 50g AT 10-2000[Hz].
 - 4.3. SHOCK: 1500g BY 0.5 [MILLISECONDS].
 - 4.4. GROSS LEAK: 40 [PSI] MIN.
 - 4.5. RoHS COMPLAINT.

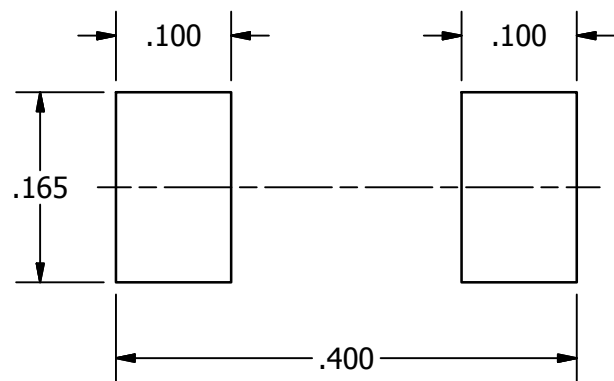
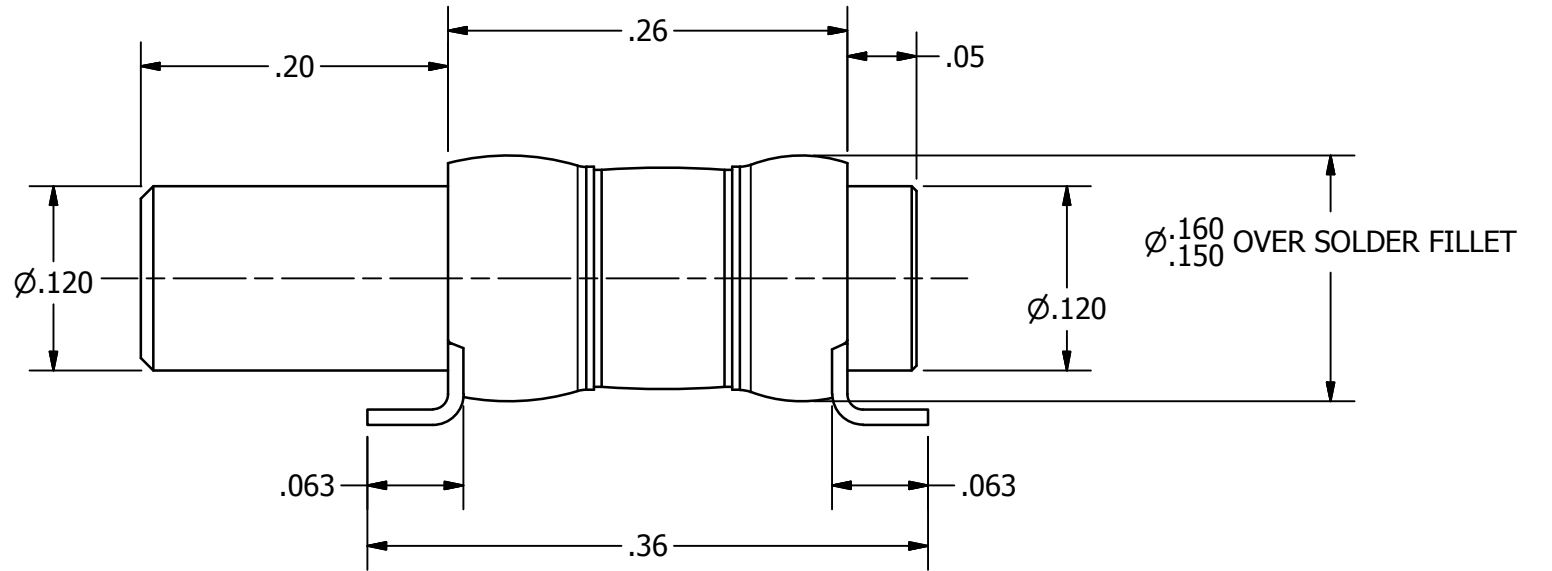
REVISION HISTORY					
ECO#	ZONE	REV	DESCRIPTION	DRAWN	APPROVED
1093	ALL	-	INITIAL RELEASE	EC 12/18/15	



SECTION A-A
SCALE 8 : 1



MAIN VIEW
SCALE 8 : 1



SUGGESTED FOOT PRINT
SCALE 6 : 1

MATERIAL N/A		DRAWN E. CONTRERAS	12/18/2015
FINISH N/A		CHECKED	
TOLERANCES .XX ±.016 .XXX ±.005 .XXXX ±.0005 X°±1° X.X°±0.1°	SURFACE FINISH NA ✓	QUALITY ASSURANCE	
3RD ANGLE PROJECTION		MANUFACTURING	
		ENGINEERING	
		CUSTOMER PART NUMBER	
INVENTOR 2014 GENERATED DWG		SCALE B	PER VIEW 18736

DLI • Novacap • Syfer • Voltronics

VOLTRONICS
THE TRIMMER CAPACITOR COMPANY
2250 NORTHWOOD DRIVE
SALISBURY, MARYLAND 21801

OUTLINE DRAWING FOR NMA1J12HVS

SIZE B	CAGE CODE 18736	PART NUMBER NMA1J12HVS	REV -
DWG NO. V-71383		SHEET 1 OF 1	