

- NOTES:
1. MATERIALS: HOUSING - LIQUID CRYSTAL POLYMER (LCP) GLASS-FILLED, UL94V-0
TERMINALS - HIGH PERFORMANCE COPPER ALLOY
 2. FINISH: SELECTIVE GOLD IN CONTACT AREA.
SELECTIVE MATTE TIN ON PCB TAILS, NICKEL OVERALL.
 3. REFER TO MOLEX PRODUCT SPECIFICATION PS-75710-999 FOR PERFORMANCE SPECS.
 4. PRODUCT IS PACKAGED PER PK-70873-609.
 5. THIS PART CONFORMS TO CLASS B REQUIREMENTS OF COSMETIC SPEC PS-45499-002.
 6. GUIDED PARTS TO BE SHIPPED WITH 2-32 TYPE AB SELF-TAPPING SCREW P/N 73726-0000.
 7. FOR GROUNDED GUIDE MODULES USE DIA 2.45+/-0.10 (PTH), DIA 2.58 (DRILL), AND DIA 4.50 (PAD).
 8. MAPS (MOLEX ADVANCED PLATING SYSTEM).

LEAD FREE CON/MAPS EC NO: UCP2013-4121 DRWN:WHIPPLE 2013/04/01 CHKD:WOLFE 2013/04/01 APPR:SMILLER 2013/07/15	DESCRIPTION LEAD FREE CON/MAPS UCP2013-4121	QUALITY SYMBOLS $\nabla = 0$ $\nabla = 0$ $\nabla = 0$	GENERAL TOLERANCES (UNLESS SPECIFIED)		DIMENSION STYLE MM ONLY		SCALE 3:1	DESIGN UNITS METRIC	THIRD ANGLE PROJECTION	
			mm	INCH	DRAWN BY MCARRANZA	DATE 2008/5/12	TITLE I-TRAC NXT DAUGHTERCARD 11 ROW SIGNAL MODULE GUIDE LEFT SALES DWG			
			4 PLACES ± ---	± ---	CHECKED BY	DATE	 DOCUMENT NO. SD-76680-002 SHEET NO. 1 OF 2			
			3 PLACES ± ---	± ---	JLAURX	2008/5/12				
			2 PLACES ± 0.13	± ---	APPROVED BY JLAURX	DATE 2008/5/12				
			1 PLACE ± 0.25	± ---	MATERIAL NO.	SEE CHART	THIS DRAWING CONTAINS INFORMATION THAT IS PROPRIETARY TO MOLEX. INCORPORATED AND SHOULD NOT BE USED WITHOUT WRITTEN PERMISSION			
0 PLACE ± ---	± ---	ANGULAR ± 1/2°	SIZE C							

MATERIAL NUMBER	# OF COLUMNS	DIM "A" MAX	DIM "B"
76680-***5	5	25.90	14.80
76680-***6	6	29.60	18.50
76680-***8	8	37.00	25.90
76680-***0	10	44.40	33.30

76680-****

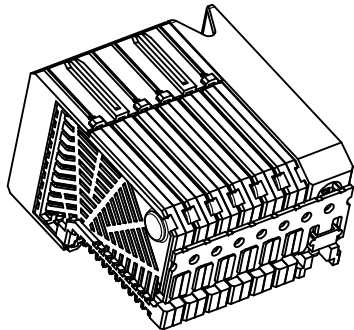
MODULE TYPE -- TAIL PLATING TYPE
 GUIDE LEFT -- MATTE TIN (FORMERLY TIN/LEAD) = 2
 GUIDE LEFT -- MATTE TIN = 3

POLARIZATION KEY ORIENTATION

- 0 = NO KEY
- 1 = A 5 = E
- 2 = B 6 = F
- 3 = C 7 = G
- 4 = D 8 = H

OF COLUMNS/PLATING

- 05 = 5 COL 30 GOLD
- 06 = 6 COL 30 GOLD
- 08 = 8 COL 30 GOLD
- 10 = 10 COL 30 GOLD
- 55 = 5 COL W/ ESD CLIP 30 GOLD
- 56 = 6 COL W/ ESD CLIP 30 GOLD
- 58 = 8 COL W/ ESD CLIP 30 GOLD
- 50 = 10 COL W/ ESD CLIP 30 GOLD
- 25 = 5 COL 10 GOLD (MAPS)
- 26 = 6 COL 10 GOLD (MAPS)
- 28 = 8 COL 10 GOLD (MAPS)
- 20 = 10 COL 10 GOLD (MAPS)
- 65 = 5 COL W/ ESD CLIP 10 GOLD (MAPS)
- 66 = 6 COL W/ ESD CLIP 10 GOLD (MAPS)
- 68 = 8 COL W/ ESD CLIP 10 GOLD (MAPS)
- 60 = 10 COL W/ ESD CLIP 10 GOLD (MAPS)



SEE SHEET 1 EC NO: UCP2013-4121 DRAWN: RHIPPLE 2013/04/01 CHKD: MWOLFE 2013/04/01 APPR: SMILLER 2013/07/15	DESCRIPTION REV	QUALITY SYMBOLS	GENERAL TOLERANCES (UNLESS SPECIFIED)		DIMENSION STYLE MM ONLY		SCALE 1:1	DESIGN UNITS METRIC	THIRD ANGLE PROJECTION		
		▽=0	mm	INCH	DRAWN BY MCARRANZA	DATE 2008/5/12	TITLE I-TRAC NXT DAUGHTERCARD 11 ROW SIGNAL MODULE GUIDE LEFT SALES DWG				
		▽=0	4 PLACES ± ---	± ---	CHECKED BY JLAURX	DATE 2008/5/12					
		▽=0	ANGULAR ±1/2°		APPROVED BY JLAURX		DATE 2008/5/12	MATERIAL NO.	DOCUMENT NO.	SHEET NO.	
DRAFT WHERE APPLICABLE MUST REMAIN WITHIN DIMENSIONS			SEE CHART		SD-76680-002		2 OF 2				
THIS DRAWING CONTAINS INFORMATION THAT IS PROPRIETARY TO MOLEX INCORPORATED AND SHOULD NOT BE USED WITHOUT WRITTEN PERMISSION											