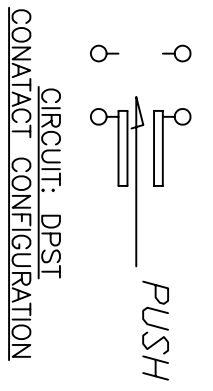
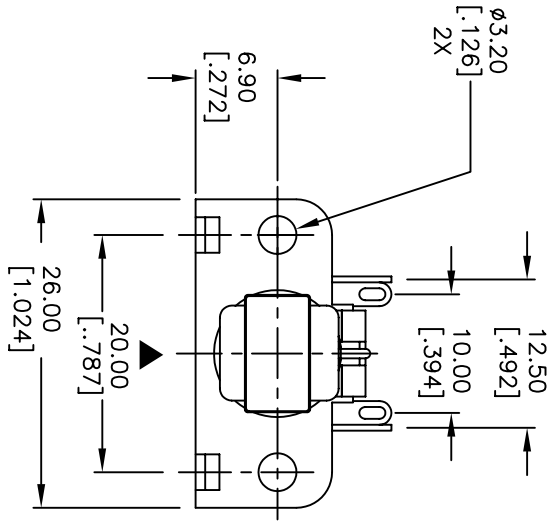
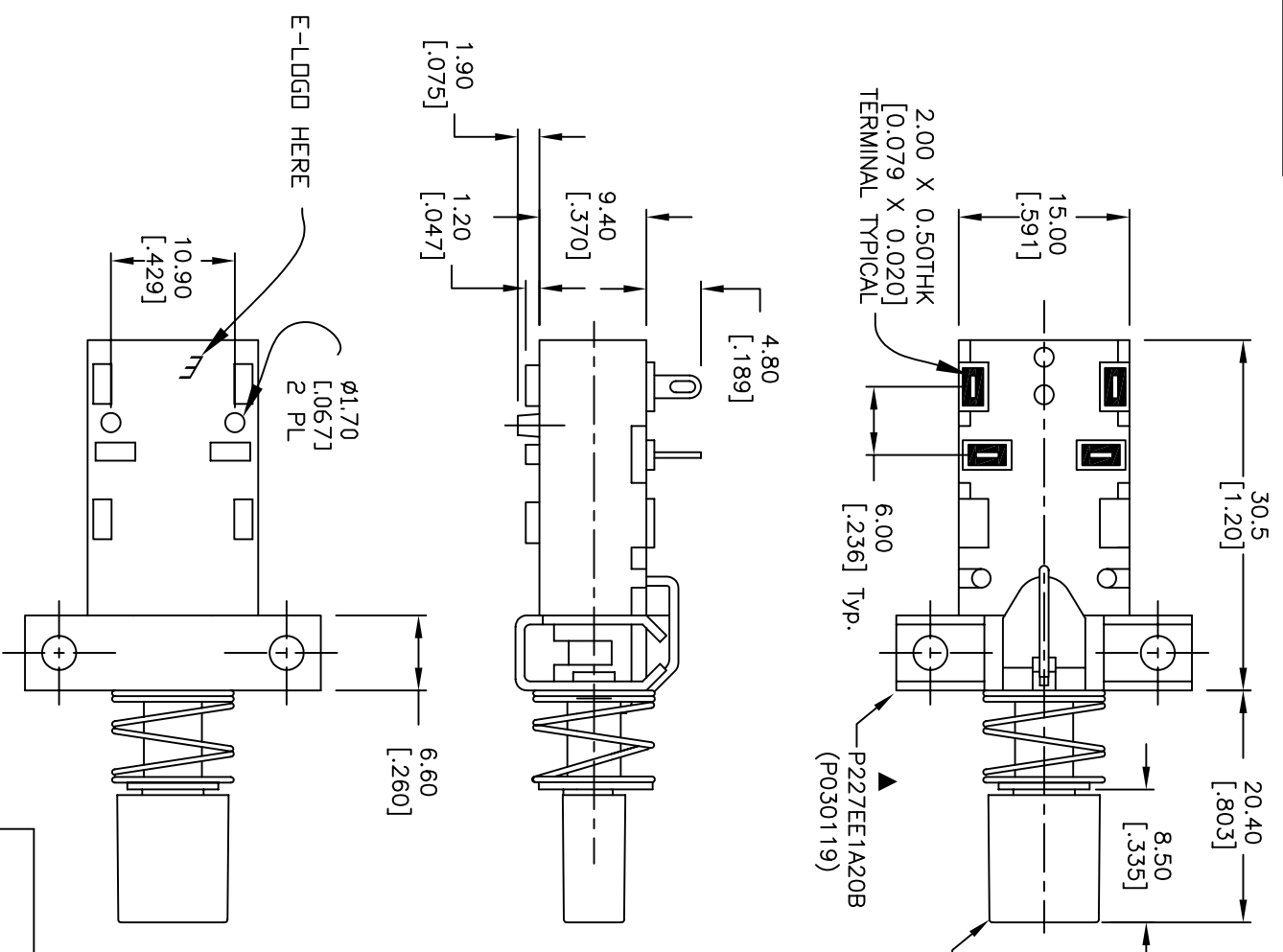


NOTES:

1. ALL DIMENSIONS IN MM [INCH]
2. GENERAL TOLERANCE: X.X=±0.4  
X.XX=±0.25
3. TERM. NOS. FOR REFERENCE ONLY.
4. RATING: 7A@125V, 4A@250  
VUL,CUL, & VDE APPROVED
5. CONTACT MATERIAL:  
Terminals, Copper Alloy W/Silver plate.  
Contacts, Copper Alloy W/Tin Oxide
6. CONTACT RESISTANCE: 100milli-ohms TYP. MAX Initial
7. DIELECTRIC STRENGTH: 1500V for 1min  
3000V between poles
8. ELECTRICAL LIFE: 6,000 Cycles
9. OPERATING FORCE: 550±150gf TYP.
10. TRAVEL: FULL:5.5, LOCK:4.0
11. 2002/95/EC (ROHS) COMPLIANT



**E-SWITCH®**

B	16219	UPDATE CAP & ADD NOTE 11	7/6/06	MRM
A	14844	RELEASED FOR PRODUCTION	4/8/05	AR
REV.	ECN NO.	DESCRIPTION	DATE	CHKD

TITLE		SCALE	DATE	DR	DWG	REV
P227EE1A20BTACGRY		1.5:1	4/8/05	AR	XP02754	B

THE INFORMATION CONTAINED IN THIS DOCUMENT IS PROPRIETARY TO E-SWITCH AND IS NOT TO BE COPIED OR TRANSFERRED